



# MECHADYNE

Mechadyne Machine Inc.

434 Industrial Park Road

Cartersville, Georgia 30121

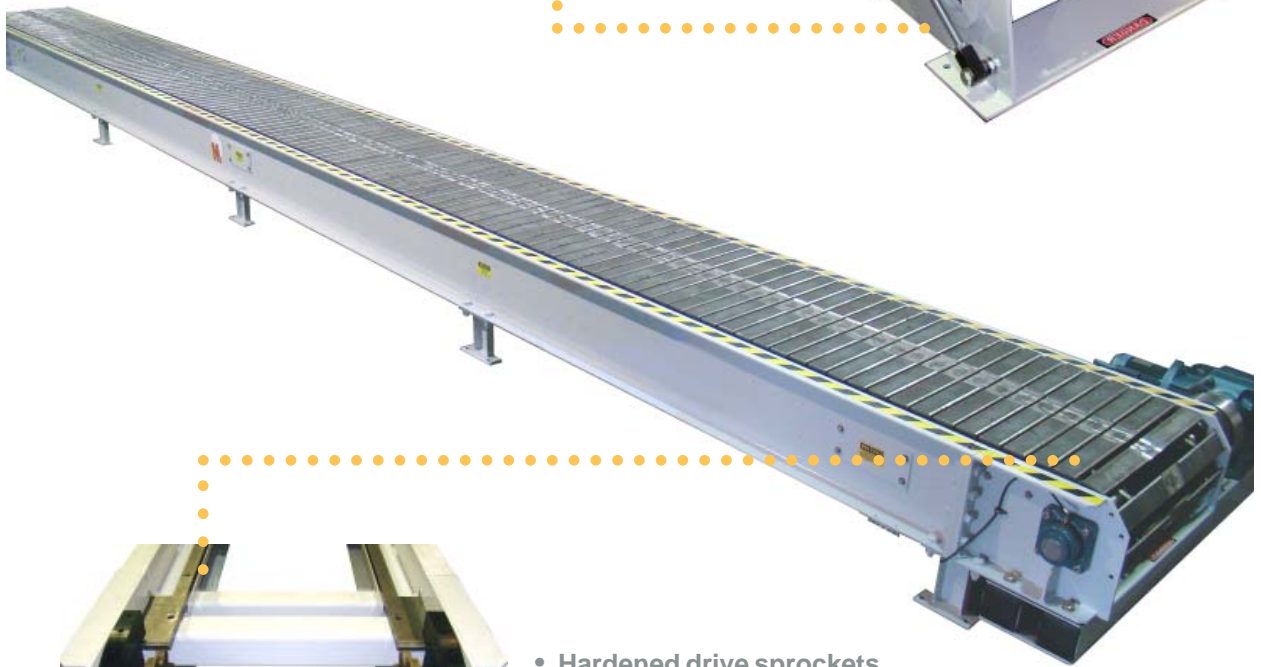
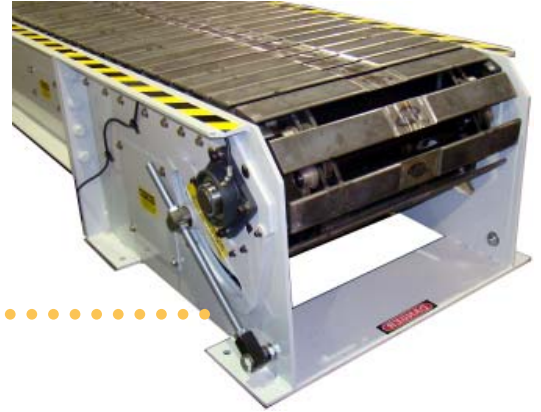
770.606.8770 Phone

770.606.8771 Fax

[www.mechadyne.com](http://www.mechadyne.com)

## Roll Handling Equipment

Rugged tensioning system that provides for even distribution of tensioning forces on both chain strands. This feature allows the chain to run straight and true!



- Hardened drive sprockets
- Reversible, replaceable rails
- End Guides for smooth slat transition

# CONVEYORS

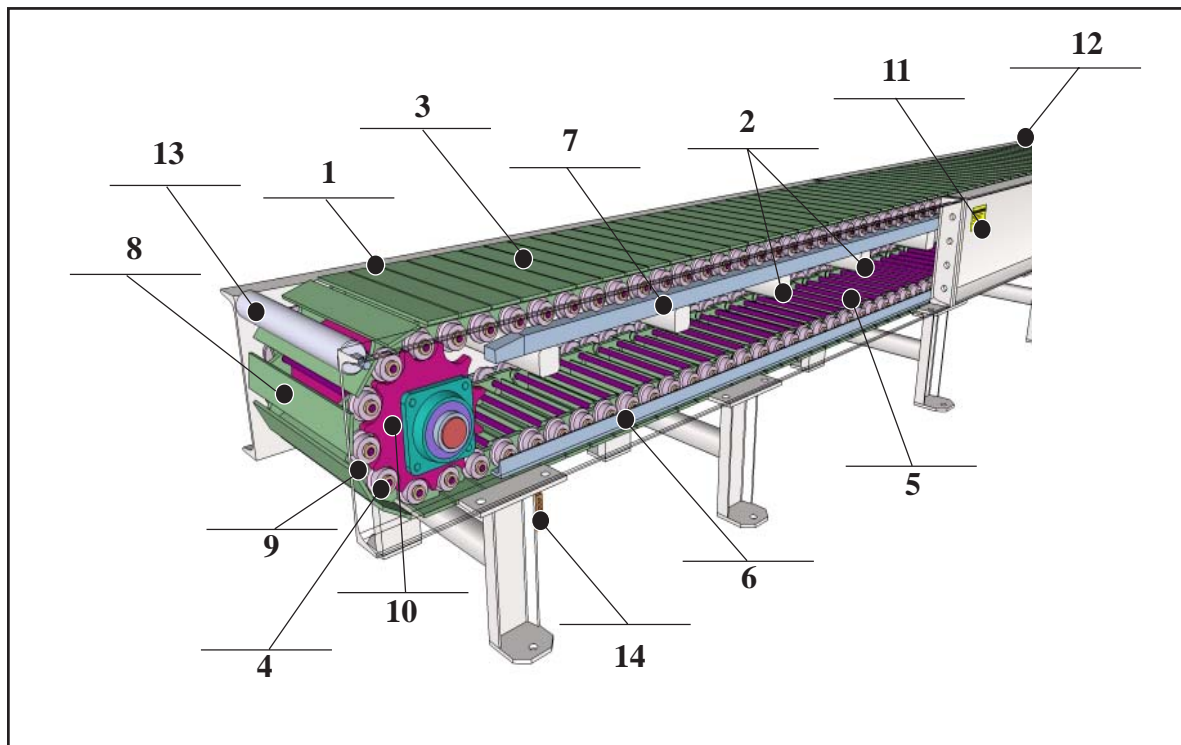
## FLAT TOP SLAT

Mechadyne Flat Top Slat Conveyors are designed and engineered to transport rolls of all types. Featuring a flat-top design, Mechadyne Slat Conveyors provide stability for roll products that "off-the-shelf" conveyors do not offer. Built to last even in the toughest applications, we offer general duty designs for everyday applications as well as industrial and mill duty designs for the most demanding of environments.

*...a revolution in roll packaging!*

# CONVEYORS

## FLAT TOP SLAT



### Standard Features

1	Heavy duty structural steel side frames
2	Heavy internal shear bracing to limit racking or flexing
3	4" pitch flat top slats
4	2-1/2" dia. hardened flanged rollers with sealed for life bearings that prevent unwanted side motion and loading of the conveyor chain. Rollers are individually replaceable without disassembly of chain
5	Full width link pins for greater chain stiffness and stability
6	Return Slats fully supported by the rollers <ul style="list-style-type: none"> <li>- Slats do not slide</li> <li>- Reduced chain drag</li> <li>- No wear to upper slat surface</li> <li>- No wear to return track</li> </ul>
7	Reversible, replaceable roller rails
8	Heavy flat plate slats will not deform under load like hollow tubing slats
9	Slat links are integral construction – no attachments to work loose
10	Hardened 11-tooth drive and idler sprockets minimize cogging
11	Mechanical guarding and safety labeling meets all applicable ANSI & OSHA standards for machine safety
12	Shaft-mounted SEW Gearmotor
13	Optional span line idler rollers provide added support at conveyor span lines
14	Optional centralized lubrication for ease of maintenance

