



MECHADYNE

Mechadyne Machine Inc.

434 Industrial Park Road

Cartersville, Georgia 30121

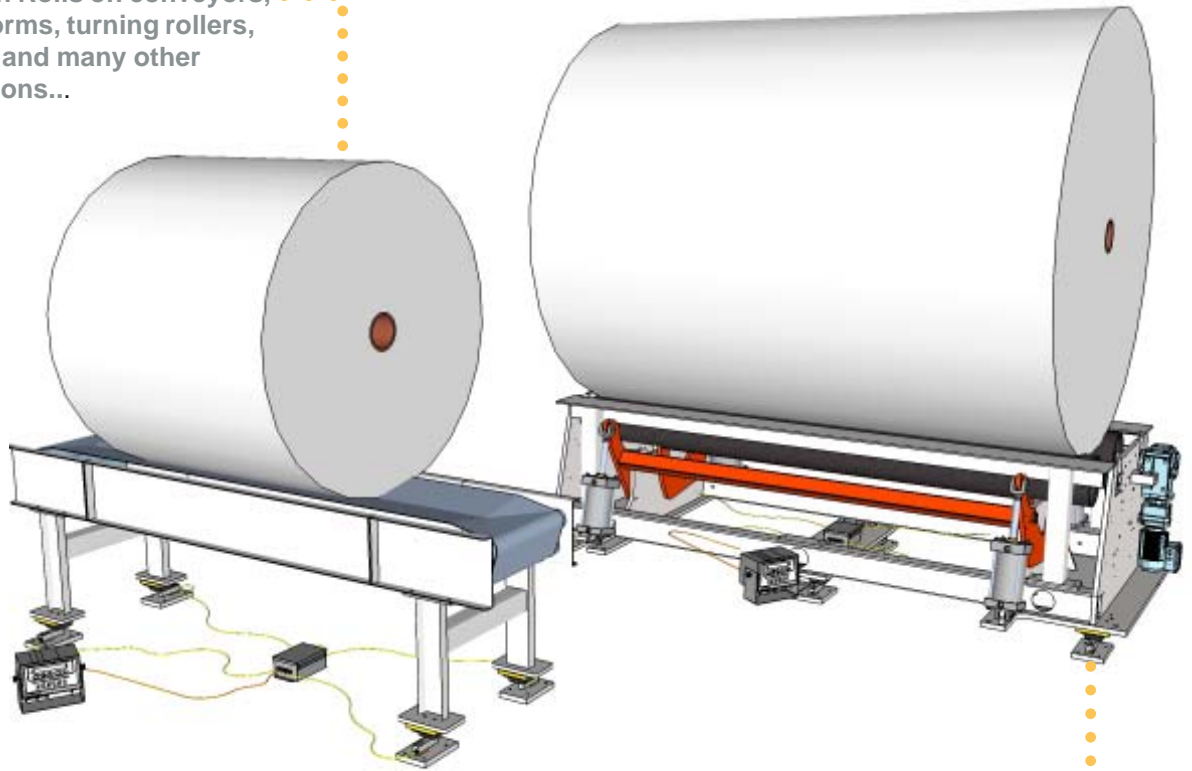
770.606.8770 Phone

770.606.8771 Fax

www.mechadyne.com

Roll Identification Systems

Weigh Rolls on conveyors, platforms, turning rollers, carts and many other locations...



Automatic measurement and recording of Roll weights eliminates data entry errors associated with manual weighing operations...

Roll Weighing

MOUNTED SCALES

Automatically measure, record and/or communicate Roll weight data to host computer systems, production control systems or programmable logic controller systems. Eliminate a manual job that increases the risk of personnel injury. Deploy your people where they will benefit your company the most.

Mechadyne's Roll Weighing Systems are well proven, reliable and are configured and manufactured specifically for each unique application.

...a revolution in roll packaging!